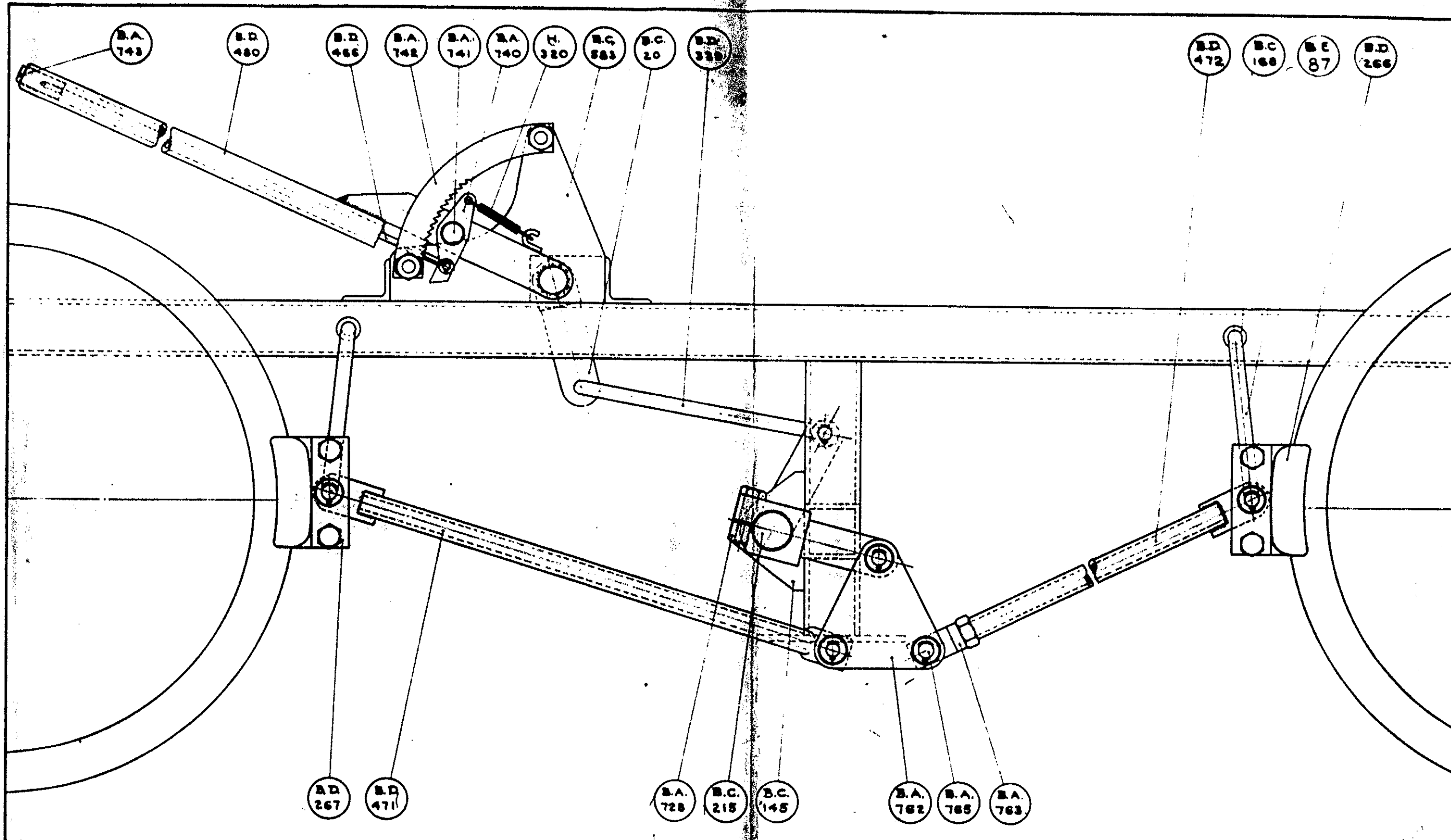


GENERAL ARRANGEMENT OF NO 4 OPEN TYPE INSPECTION TROLLEY
 FITTED WITH JAP 600^{cc} 5V DRY SUMP ENGINE WITH DIRECT STARTING HANDLE
 AND D WICKHAM 2 SPEED 2 DIRECTIONAL MK V GEARBOX

- SCALE -
- (A) S.A.E 30 WINTER
S.A.E. 40 SUMMER
 - (B) S.A.E. 90
 - (C) MEDIUM GREASE
3 STROKES EVERY 5000 MILES
 - (D) MEDIUM GREASE
3 STROKES EVERY 1000 MILES
 - (E) USE OIL CAN EVERY 1000 MILES
ON ALL PIN JOINTS ETC

D. WICKHAM & CO LTD
 RAILCAR MANUFACTURERS
 WARE HERTS
 ENGLAND.

DRG NO S 8678



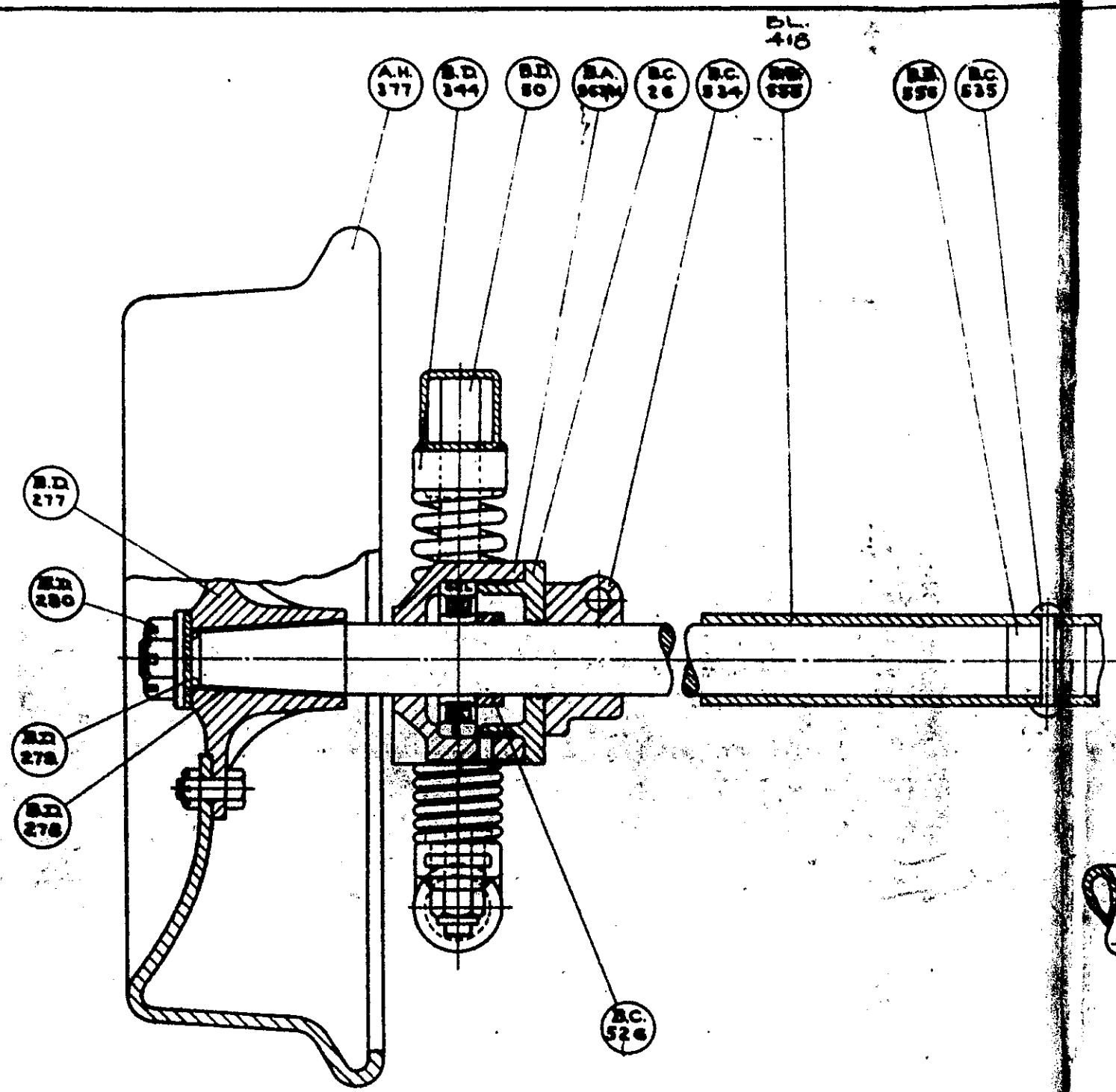
**ARRANGEMENT OF BRAKE GEAR FOR
N° 4 OPEN TYPE TROLLEY WITH LONGITUDINAL SEATS**

SCALE

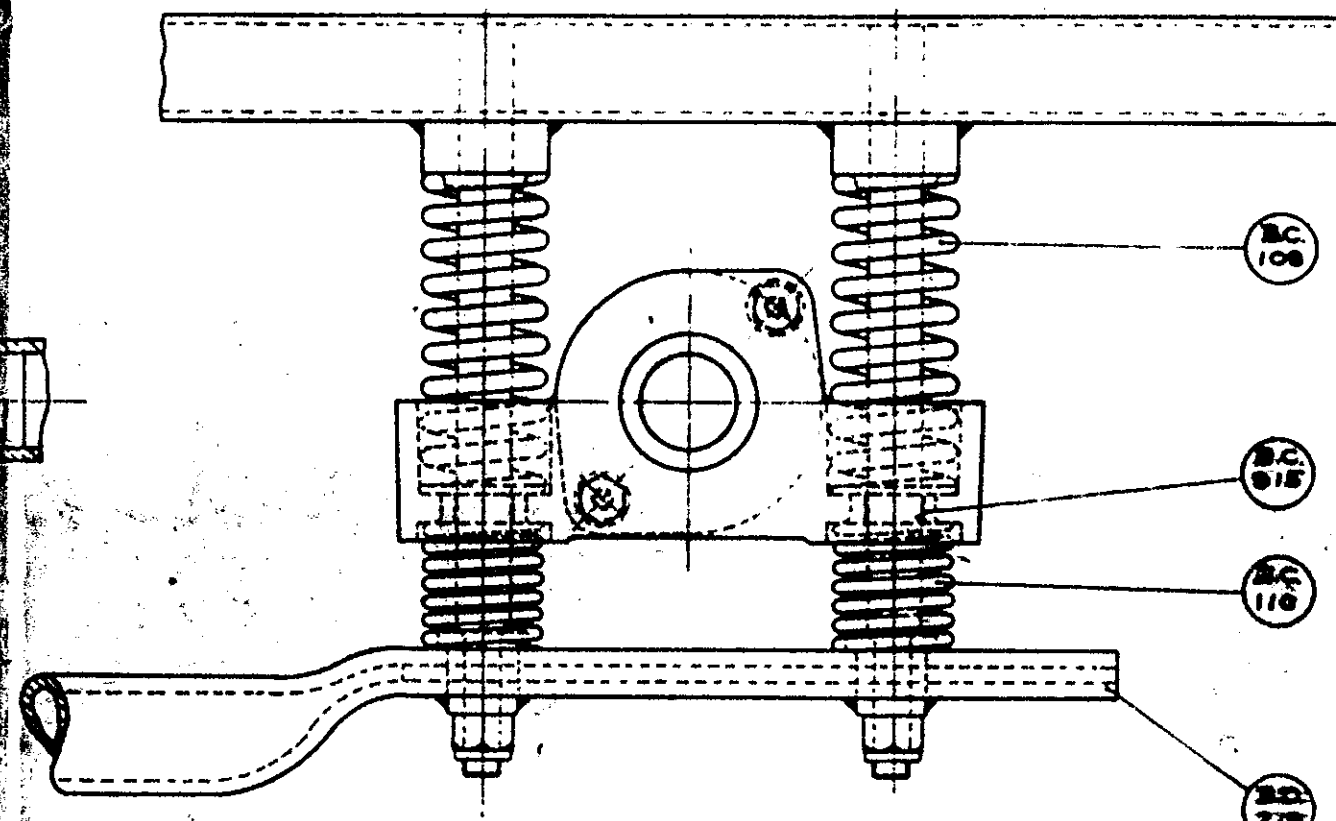
**D. WICKHAM & CO. LTD.
RAILCAR MANUFACTURERS
WARE, HERTS.
ENGLAND**

DRG. N° 5.8552

DEC 1924



WHEEL ASSEMBLY PART N° B.D. 502



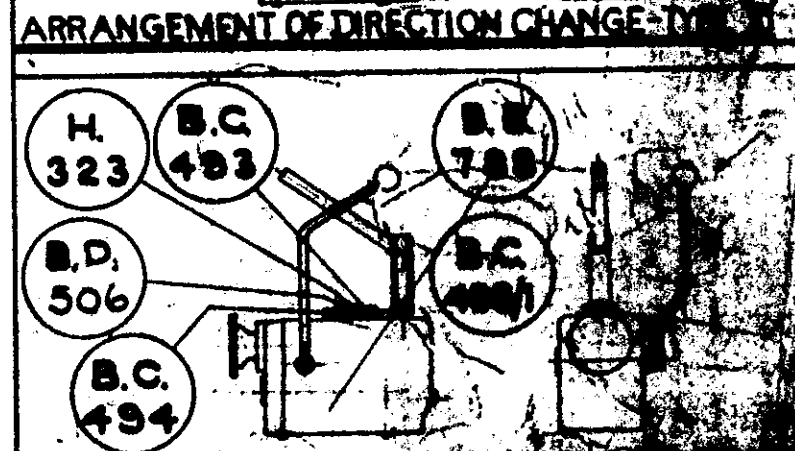
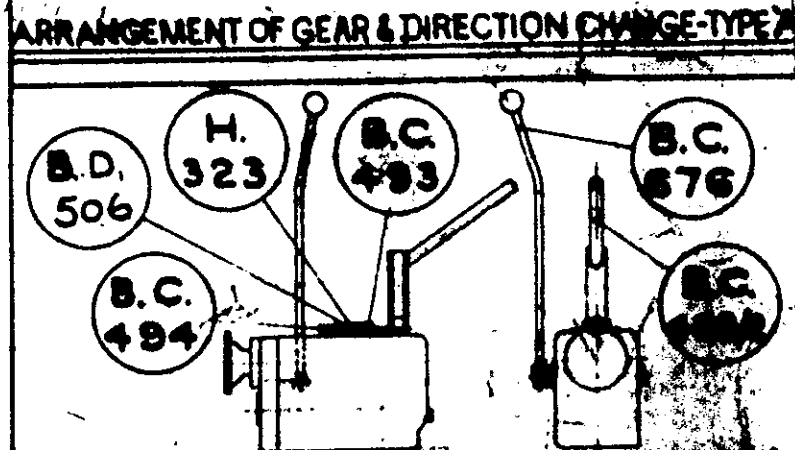
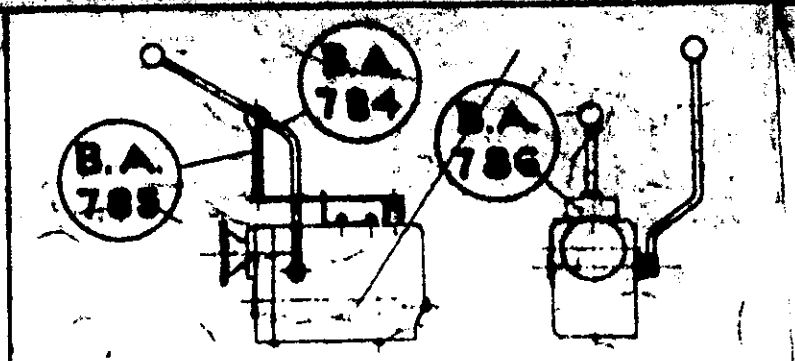
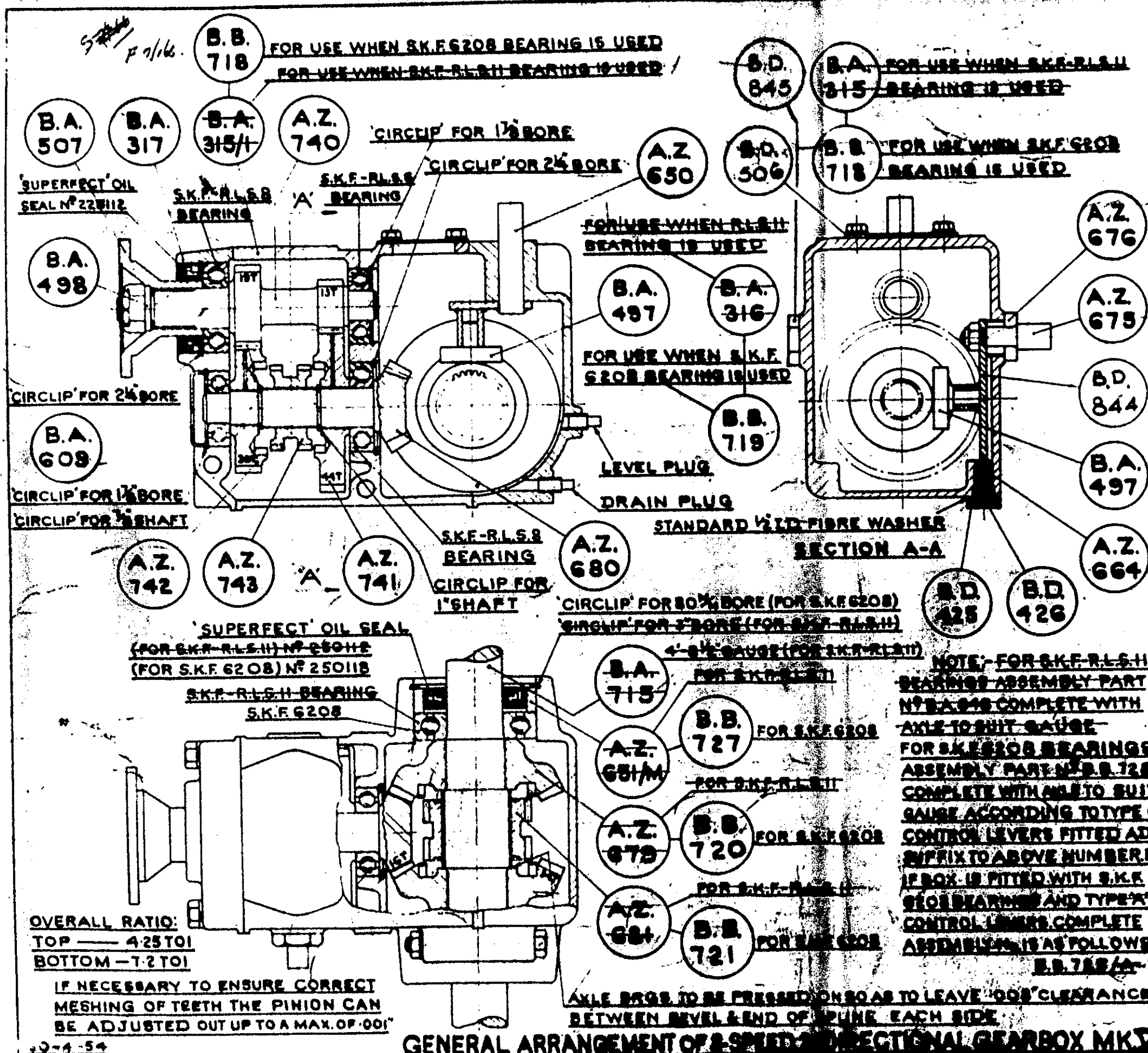
ARRANGEMENT OF WHEELS & AXLES
FOR No. 4 OPEN TYPE TROLLEY
WITH LONGITUDINAL SEATS

SECTION SHOWING
SPRING PILLAR BUSH

SCALE:

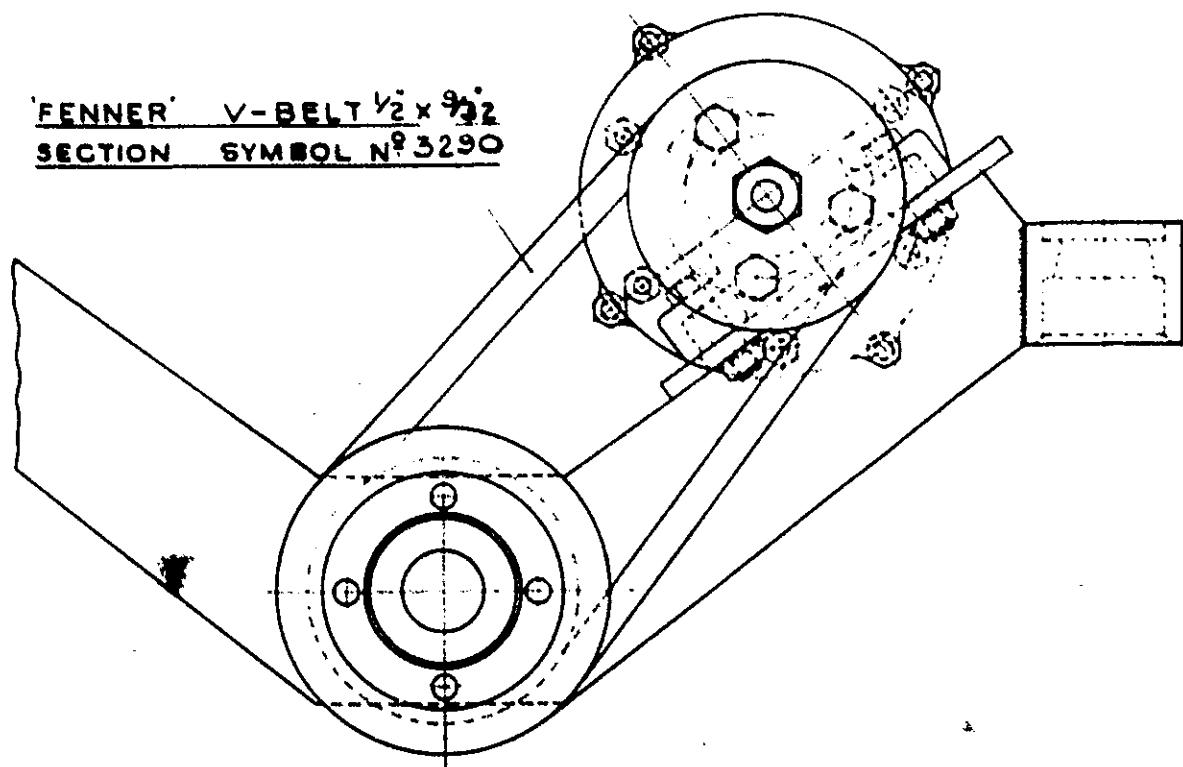
B. WISHAM & CO. LTD
RANGAR MANUFACTURERS
WARR. HERTS.
ENGLAND

DRG. N° S. 8478



D. WISHAM & SONS
RAILWAY SIGNALS
100, BUCKINGHAM PALACE ROAD
WINDSOR, MIDDLESEX

FENNER V-BELT $\frac{1}{2} \times 932$
SECTION SYMBOL N° 3290

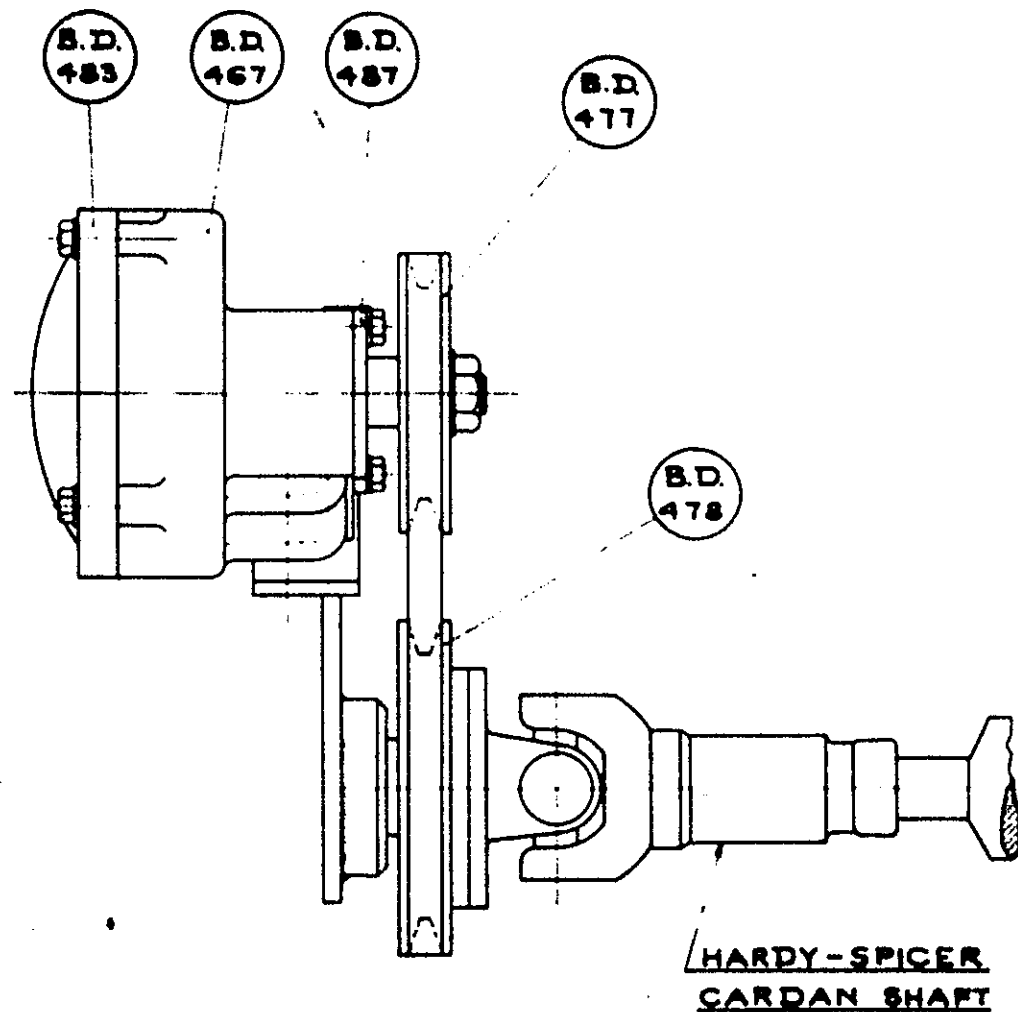


"SUPERFECT" OIL SEAL N° 150

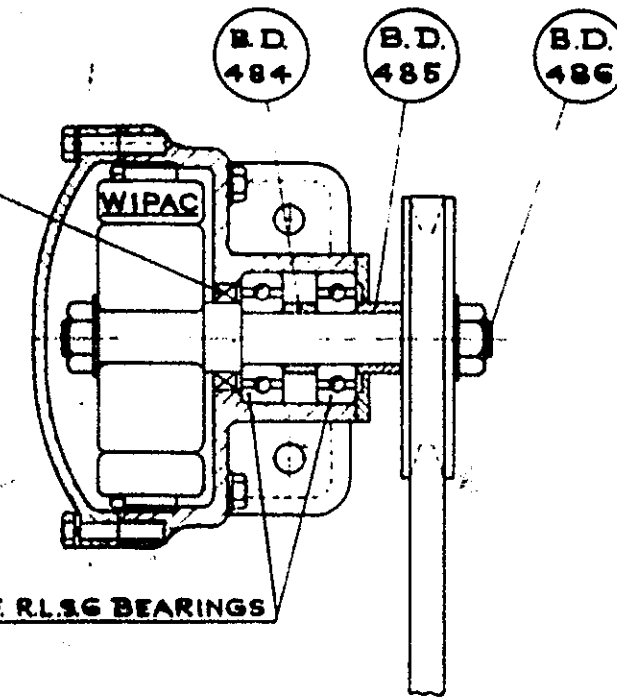
ASSEMBLY OF ALTERNATOR MOUNTED
TO REAR ENGINE MOUNTING FOR
No. 4 OPEN TYPE TROLLEY WITH
LONGITUDINAL SEATS

SCALE:

20-12-54



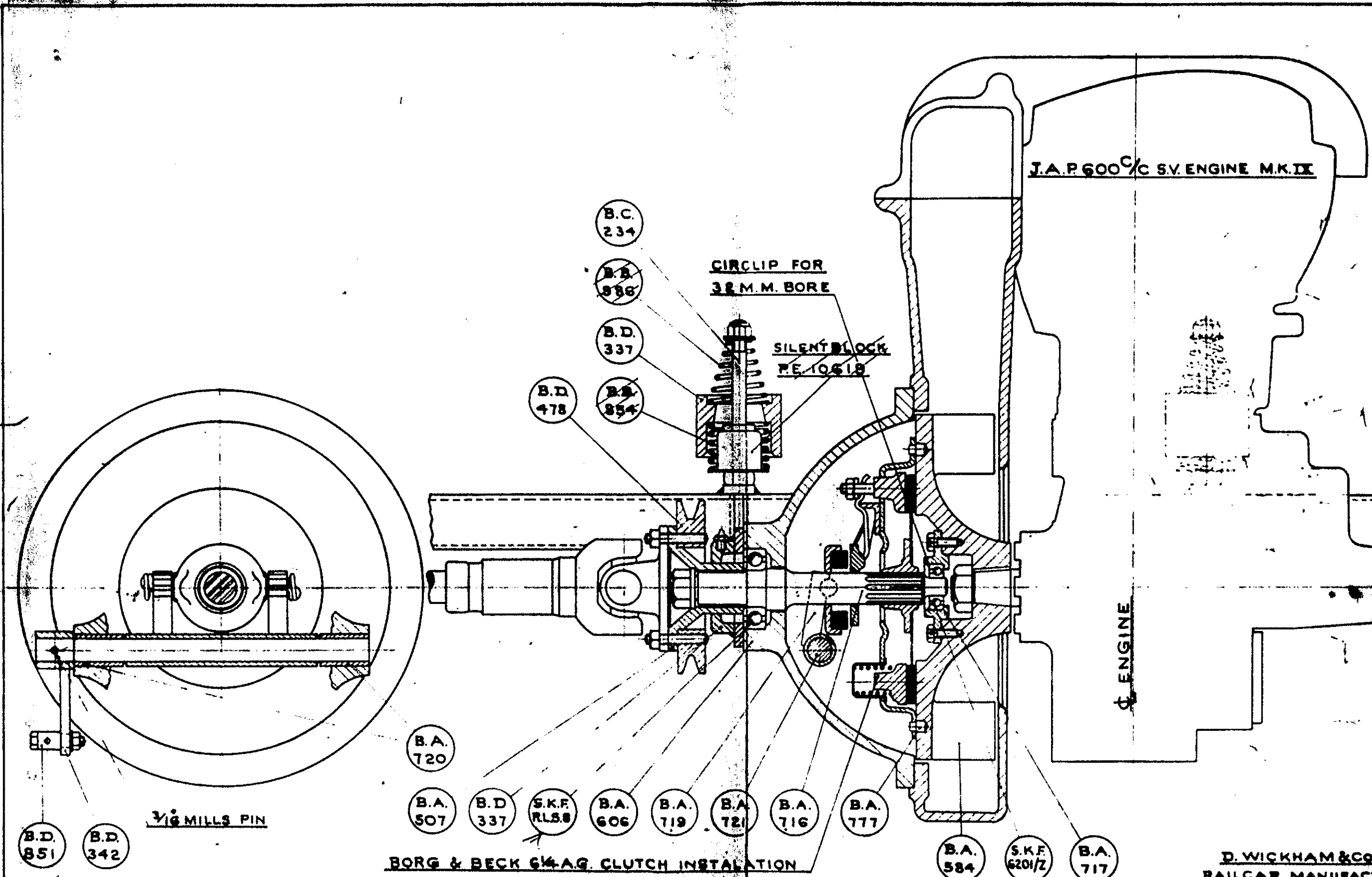
HARDY-SPICER
CARDAN SHAFT



S.K.F. R.L.S.G BEARINGS

D. WICKHAM & Co. L^{td}
RAILCAR MANUFACTURERS
WARE, HERTS.
ENGLAND

DRG. N° S. 8596



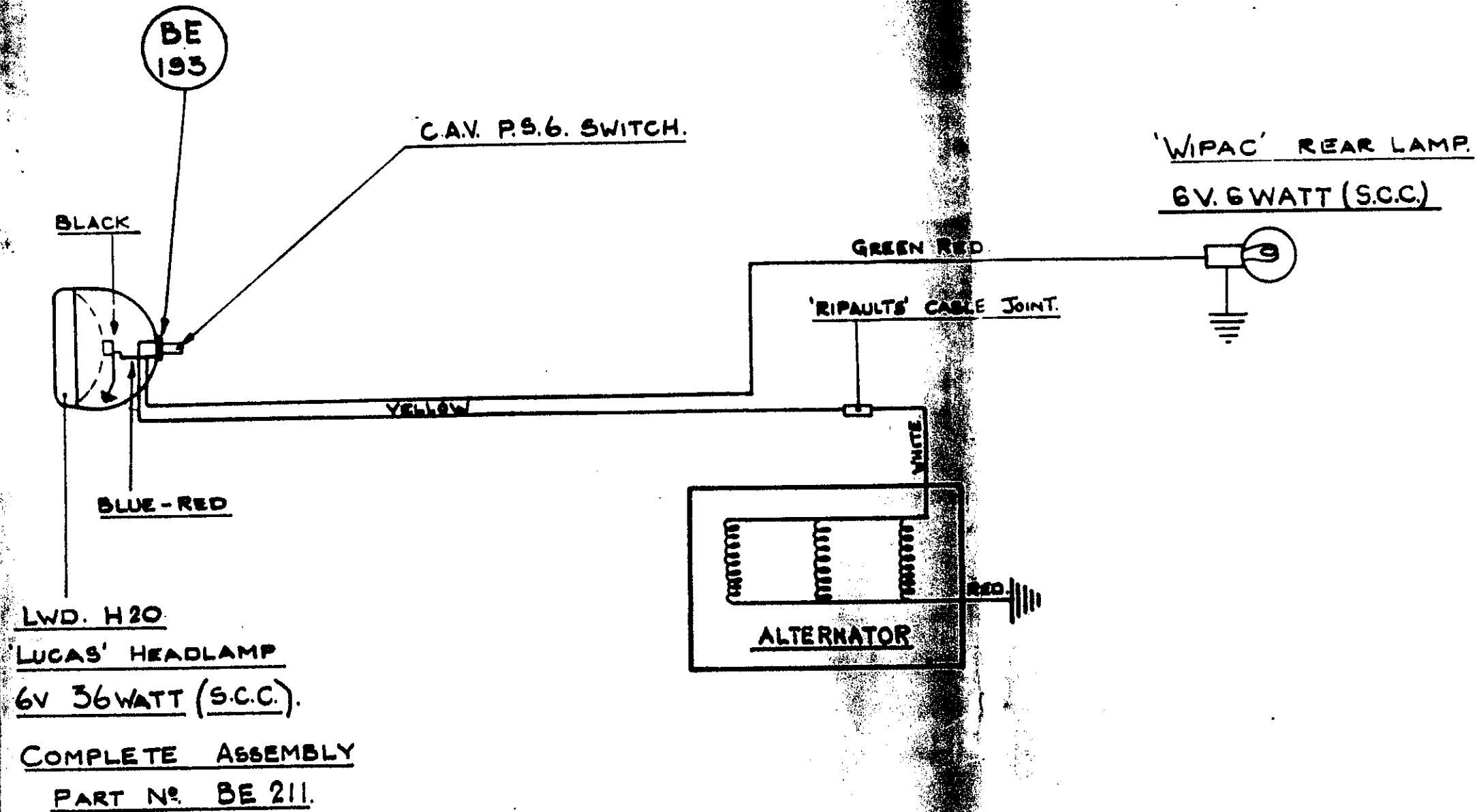
**SECTION THROUGH BELL HOUSING
SHOWING CLUTCH THROW-OUT FORK**

15-12-54

**ARRANGEMENT OF TRANSMISSION FOR N^o 4 OPEN
TYPE TROLLEY WITH LONGITUDINAL SEATING**

D. WICKHAM & CO. LTD
RAILCAR MANUFACTURERS
WARE, HERTS.
ENGLAND

DRG. N^o S. 8561



WIRING DIAGRAM FOR N^o 4 OPEN TYPE
TROLLEY WITH LONGITUDINAL SEATS

D. WICKHAM & Co L^{td}
RAILCAR MANUFACTURERS
WARE, HERTS.
ENGLAND

DRG. N^o S. 8812